



motoalliance

23001 Industrial Blvd, Rogers, MN 55374 / 1-866-527-7637
www.motoalliance.com

MOTOALLIANCE WINCH MOUNT

MA11920

Honda Foreman TRX 500

Thank you for purchasing our MotoAlliance winch mount(s). You now own a premium custom winch mount to allow you to use your winch with your ATV. Please note the following instructions and heed all warnings.

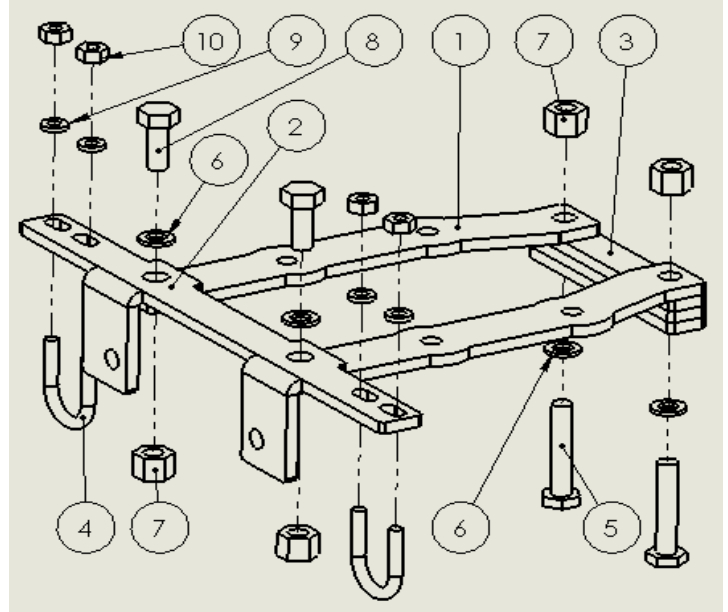
- Please use common sense when operating your ATV.
- Read your Winch Operator's Manual and all other Operator Manual's, including warning labels, before operating your ATV.
- Be observant of moving parts causing entanglement, use extreme caution!

SEVERE INJURY OR DEATH MAY RESULT IF YOU ARE NEGLIGENT.

Please verify that all hardware and parts are included in your package.

Kit Contents:

- 1 - Winch Mount (1)
- 2 - Fairlead Bracket (1)
- 3 - Rear Spacers (3)
- 4 - 1/4" U-bolts (Fastenal PN: 42004) (2)
- 5 - 3/8" x 2" G5 HH Bolt (2)
- 6 - 3/8" Flat Washer (4)
- 7 - 3/8" Nylock Nut (4)
- 8 - 3/8" x 1" G5 HH Bolt (2)
- 9 - 1/4" Flat Washers (4)
- 10 - 1/4" Nylock Nut (4)
- 11 - M8 x 35mm HH Bolt (4) (not shown)
- 12 - Winch Mount Spacers (2) (not shown)



INSTALLATION:

1. Begin by removing the top plastic fender to gain access to the vehicles front end. There are two hex bolts on either side of the fender and two plastic fender clips that must be removed to pull the top fender off. Leave the bottom plastic fender attached. See Figure 1.

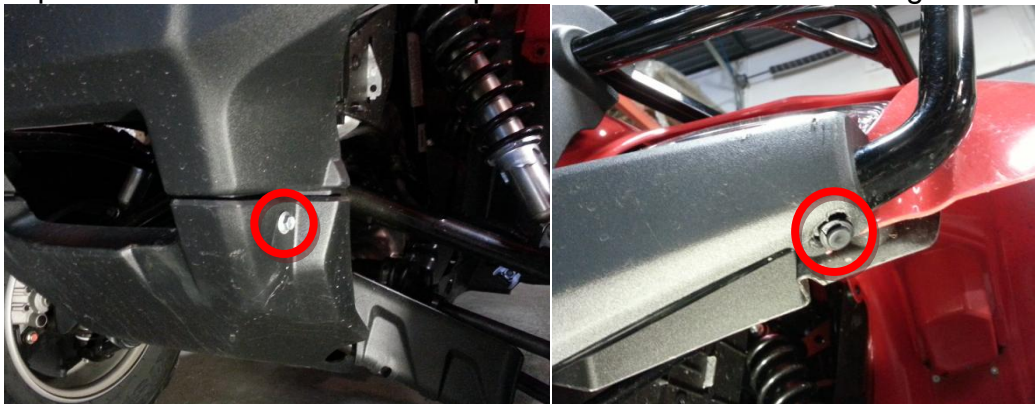


Figure 1

2. On either side of the radiator are plastic side walls, remove both of them via the 1/4" fender clips. Note which side is the RH and LH as they will need to be installed correctly later. Remove the plastic cross support and set aside. Also, it is helpful to remove the mesh radiator guard from the radiator side supports. Set it aside. (Figure 2)

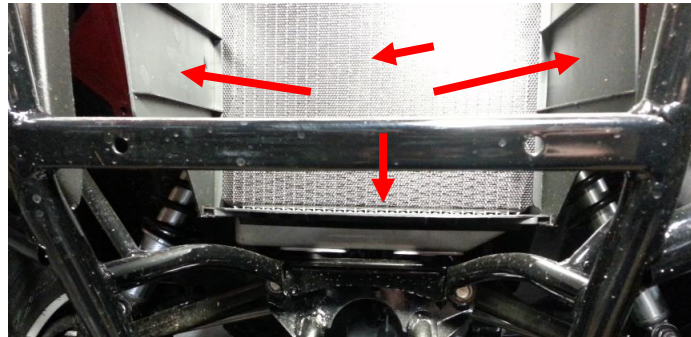


Figure 2

3. Assemble the winch mount and hardware as shown in the schematic above. Some winch models may need spacers to avoid hitting the curved frame support tubes. If your winch needs to be raised up, use the accompanying spacers and M8 x 35mm bolts to mount your winch. Most winches do not require the spacers and can be mounted directly to the mount bars.
4. Tighten all hardware.
5. Once the winch has been mounted, use the templates included in these instructions to mark the plastic side skirts for trimming. The templates fit into the angled ribs along the bottom of the plastic guards. Trimming allows the motor and gear end to protrude slightly. The motor end template is on the Right Hand side of the vehicle when sitting on the seat. The gear end template is on the Left Hand side of the vehicle when sitting on the seat. Notch out the circular pattern and verify fitment. Insert the plastic clips. Insert the mesh radiator guard into the slots. Note, the center plastic piece is no longer needed.
6. Reassemble the plastic bumper and attach the fairlead to the front of the mount.
7. Run the winch power wires along the RH side of the vehicle. Mount the contactor in the storage box or near the battery using the M6 hardware in your winch. Wire winch per manufacturer's instructions. **Warning: Avoid running wires near sharp objects, moving components or exhaust lines. Follow the OEM wiring harness whenever possible.**



